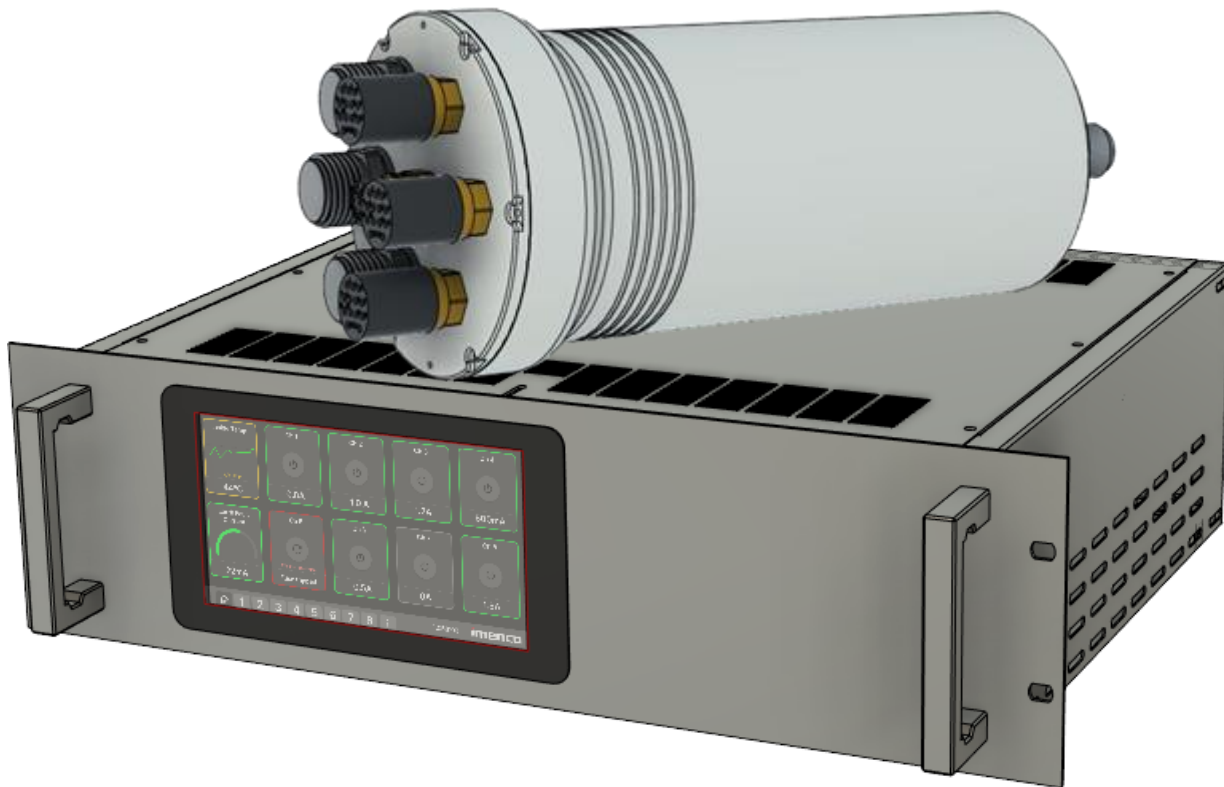


Imenco Icon MUX 117-4



For all situations where a compact mux is needed

The Imenco Icon MUX 117-4 enables you to utilize a spare single mode fibre in the ROV umbilical to control and view 3 off 3G HD-SDI cameras.

In addition, you will get 3 off 10/100Mb/1Gb Ethernet ports for auxiliary equipment together with 1 off RS232 port.

Imenco – Icon MUX 117-4

Key Functional Features

- Low weight, compact size
- 3 x 3G HD-SDI w/RS232 for camera control
- 3 x Ethernet 10/100/1000MB
- 1 x RS232

Technical Characteristics

| | |
|--------------------------------|------------------|
| O/A Length (excluding connecto | 270 mm |
| Diameter | 120 mm/140mm |
| Weight in air | 5 Kg |
| Weight in water | 1.2 Kg |
| Input Power | 24VDC (18-36VDC) |
| Power requirement | 150 W Max |

Subsea unit

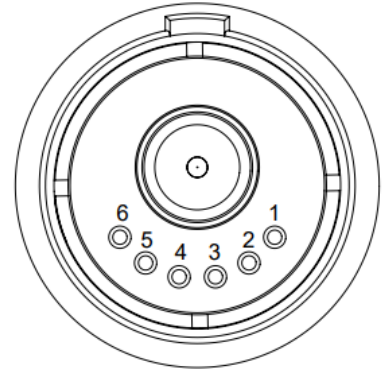
| | |
|-------------------------------|--------------------------|
| Transmission format | Single mode fibre, CWDM |
| 1 off Fibre connector | Schilling Feedthru fiber |
| 1 off Power connector | Seacon 5507-1503 |
| 3 off HD-SDI Camera Connector | Scorpion 455 BCR |
| 3 off Ethernet and Power | SubConn DBH13F |
| 1 of RS232 | SubConn MCBH8F |
| Housing material | Titanium |
| Depth rating | 6.000 m |
| Body diameter | 122 mm / 140mm |
| Length (excl. connector) | 270 mm |
| Power requirements | 24VDC / 150W |
| Mass in air | 5 Kg |
| Mass in seawater | 1,2 Kg |

Topside unit

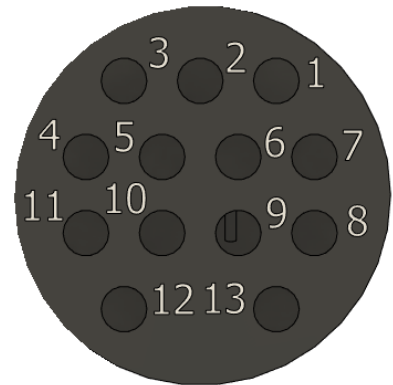
| | |
|-------------------------|--------------------------|
| Transmission format | Single mode fibre, CWDM |
| Fibre connector | LC / customer selectable |
| Power input connector | C14 |
| HD-SDI Camera connector | BNC 75 ohm |
| Ethernet connector | RJ45 |
| RS-232 connector | RJ45 (10 pin) |
| Housing | 19" rack - 1U |
| Power requirements | 90-264 VAC / 60 W |

HD-SDI Camera Connector - Scorpion BCR455

| Pin | Function |
|-----|---------------------|
| 1 | 0 V/RS232 0V |
| 2 | 24VDC |
| 3 | RS232 Rx (Uplink) |
| 4 | RS232 Tx (Downlink) |
| 5 | RS232 Rx (Uplink) |
| 6 | RS232 Tx (Downlink) |
| 7 | Coax Shield |
| 8 | Coax Center |

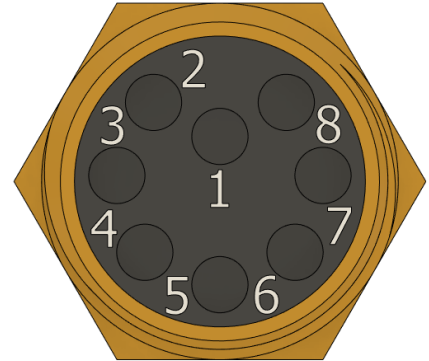
**Ethernet Connector - Subcon DBH13F**

| Pin | Function |
|-----|-------------------------------------|
| 1 | 0 V |
| 2 | N/C |
| 3 | +24 VDC |
| 4 | BI-DD - (Brown) |
| 5 | BI-DD + (Brown/White) |
| 6 | BI-DC + (Blue) |
| 7 | BI-DC - (Blue/White) |
| 8 | BI-DA - / Transmit - (Orange) |
| 9 | BI-DA + / Transmit + (Orange/White) |
| 10 | BI-DB - / Receive - (Green) |
| 11 | BI-DB + / Receive + (Green/White) |
| 12 | N/C |
| 13 | N/C |

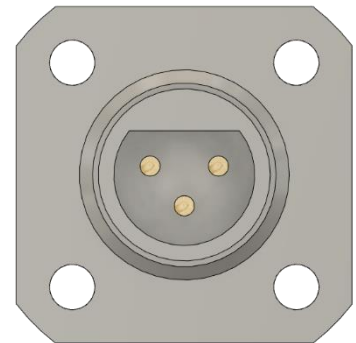


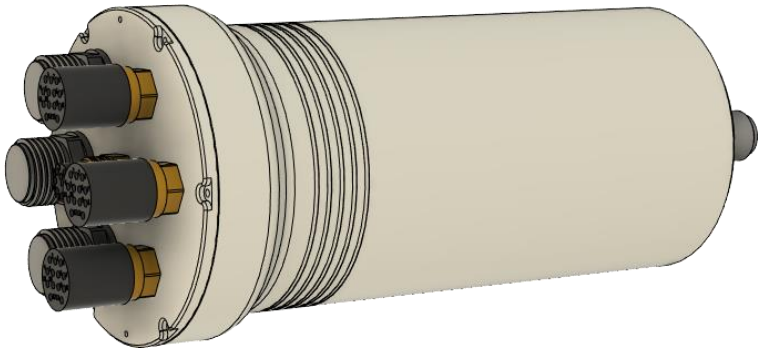
RS 232 Connector - Subcon MCBH8F

| Pin | Function |
|-----|--------------------|
| 1 | 0V |
| 2 | 24V |
| 3 | N/C |
| 4 | RS232 0V |
| 5 | RS232 TX(Downlink) |
| 6 | N/C |
| 7 | RS232 RX(Uplink) |
| 8 | N/C |

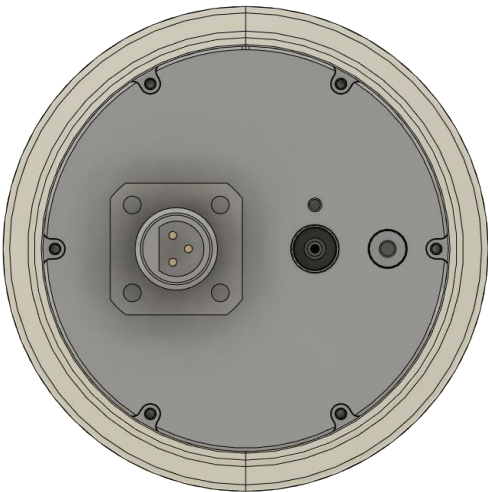
**Power In Connector - Seacon 5506-1503**

| Pin | Function |
|-----|----------|
| 1 | 0V |
| 2 | 24V |
| 3 | N/C |

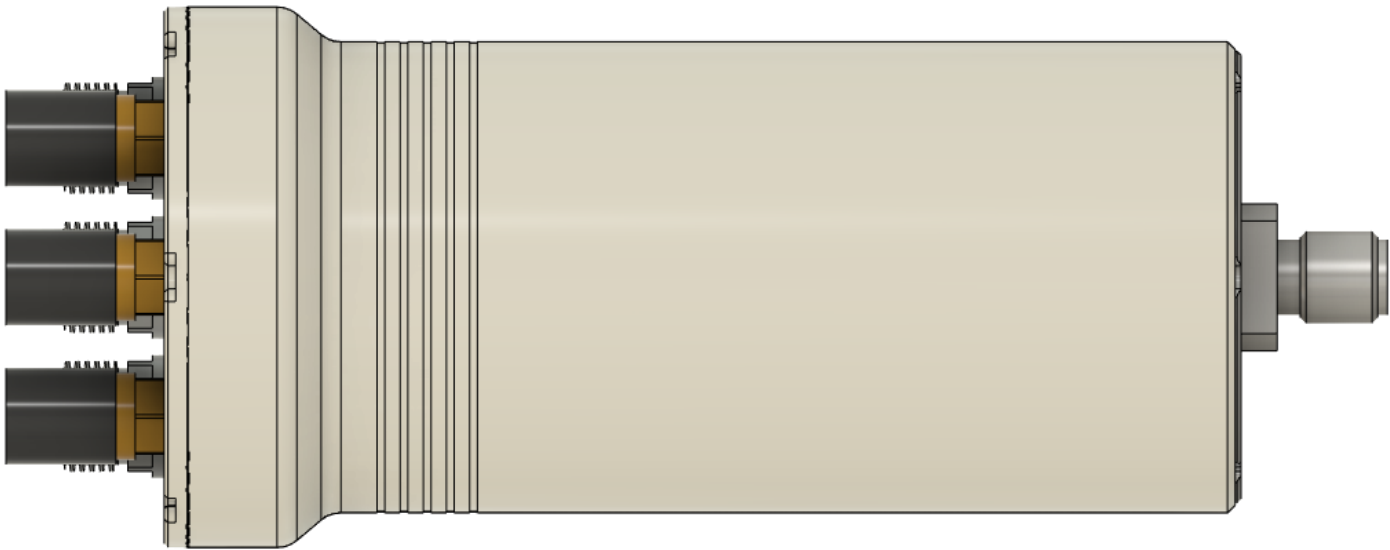




Front View
Ø140 mm



Back View
Ø122 mm



Side View
270 mm